

Assembly Instructions

ITEM Number : WIT068-1

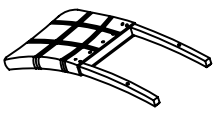
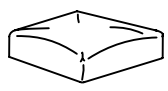



Product Name: PALAZZO BAR STOOL

PRE-ASSEMBLY PREPARATION:







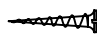
- Please check carton for all necessary parts before beginning assembly and read all instructions before starting.
- The hardware packet contains SMALL ITEMS which should be KEPT AWAY FROM CHILDREN.
- Do not completely tighten any bolts until the unit is fully assembled and sitting on a level surface.

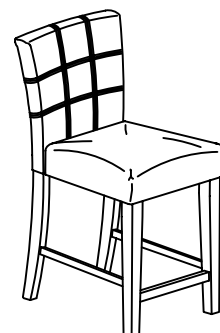
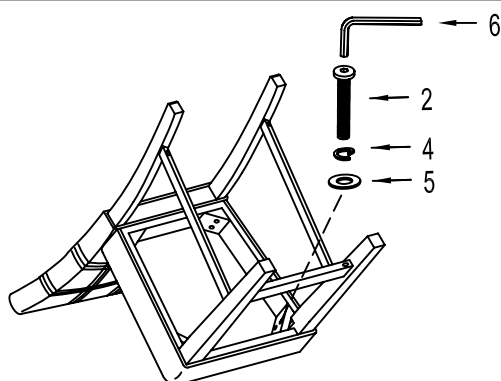
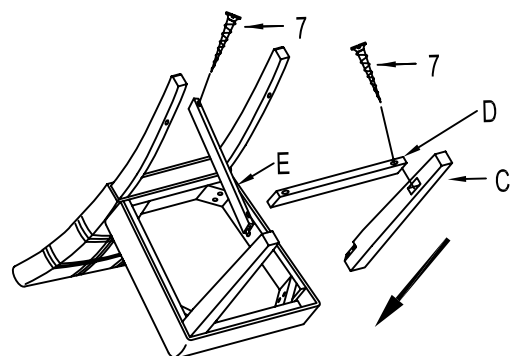
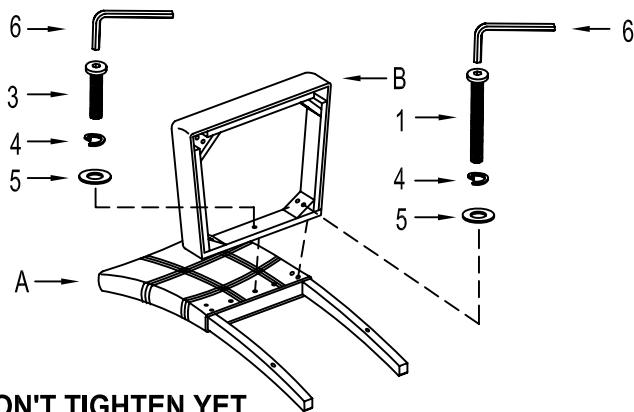
Panel and Fittings Identification:

PARTS LIST:

NO.	DESC.	DIAG	Q'TY
A	BACK		1PC
B	SEAT		1PC
C	LEG		2PCS
D	FRONT STRETCHER		1PC
E	SIDE STRETCHER		2PCS

HARDWARE LIST:

NO.	DESC.	DIAG	Q'TY
1	LONG BOLT		4PCS
2	BOLT		4PCS
3	SHORT BOLT		1PC
4	SPRING WASHER		9PCS
5	WASHER		9PCS
6	WRENCH		1PC
7	SCREW		6PCS



SET THE CHAIR UPRIGHT LEVELING AND TIGHTEN ALL BOLTS NOW