

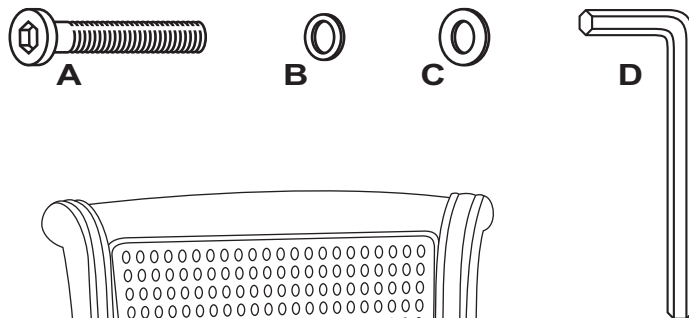
Examine all packaging material for small parts that may have come loose during shipment. Periodic checks are recommended to insure that all components are in proper position, tight and free from damage. Keep this assembly instruction for future reference. Adult assembly is required. Customer Service Phone Number: 502-562-0000

**HARDWARE LIST**

**PARTS LIST**

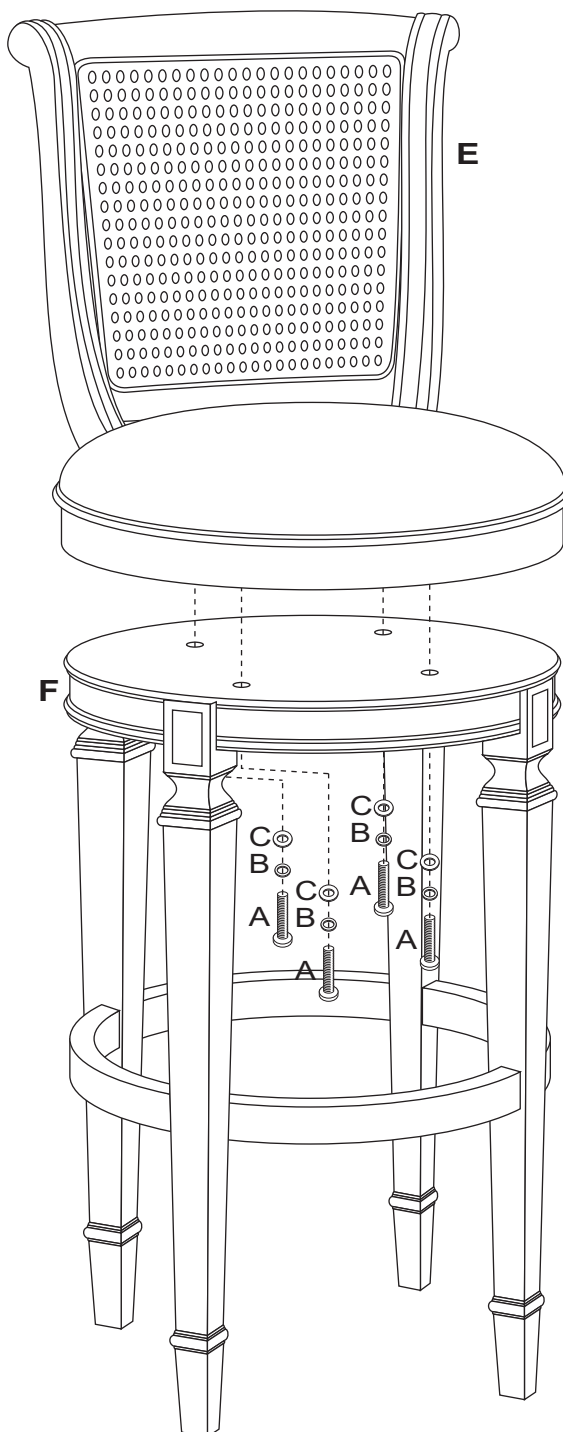
- A (4) Allen Bolts 1/4" x 1-1/8"
- B (4) Spring Washers 1/4"
- C (4) Flat Washers 1/4"
- D (1) Allen Wrench

- E (1) Stool Top
- F (1) Stool Base



**\* \* \* ASSEMBLY \* \* \***

Attach the Stool Top (E) to the Stool Bottom (F) by aligning the holes with the holes in the swivel metal plate (located under seat base) and secure in place with 4 Allen Bolts (A), 4 Spring Washers (B) & 4 Flat Washers (C). Tighten all bolts using the Allen Wrench (D) that has been provided. The assembly is now complete.



*The illustration shown to the right is a generic drawing of the original item you have purchased. The assembly remains the same.*